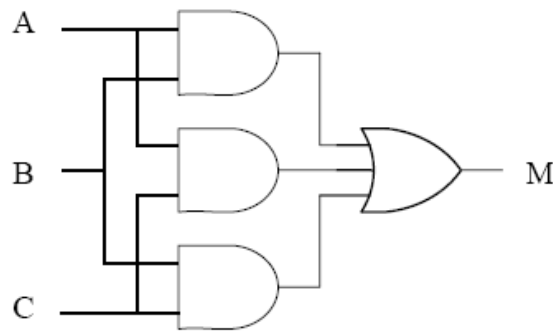


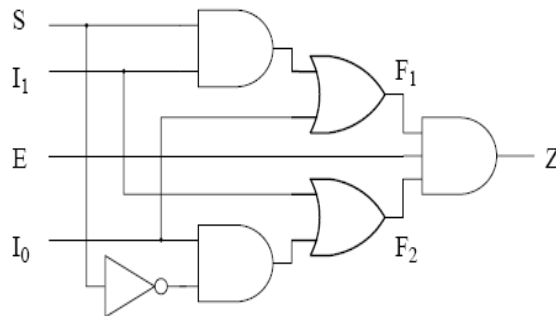
# Lab 2

These are the two circuits you simulated previously.

1. Draw a detailed pin diagram of them, based on datasheets from the ICs you have.
2. Implement the circuit in hardware.
3. Please be careful in making the connections.
4. Compare the timing of the outputs with what you simulated in VHDL.



**Fig. 1. Circuit 1 (from Lab 1a)**



**Fig. 2. Circuit 2 (from Lab 1b)**